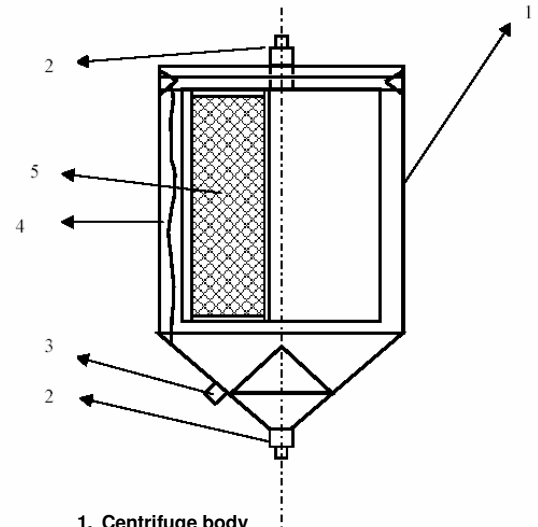


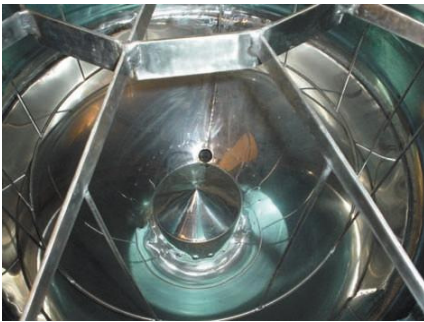
# APILANI

## New Honey Extractor for Honey Integrity

### High Quality Honey



1. Centrifuge body
2. Supports
3. Extracted Honey outlet
4. Extracted honey level inside centrifuge
5. Bee hive frame



Cleanability – No contamination



Test Certificate



Honey without air bubbles

- No drops or shocks during honey extraction – Honey without alteration
- No HMF and Humidity alteration
- No air bubbles or foam formation
- No losses of volatile enzymes
- Lower oxidation – reduced contact area
- Extra quality honey
- Better cleanability



Authors:

José Vilani Oliveira & José Vilani Oliveira Jr.

APILANI Máquinas e Equipamentos Técnicos Ltda.

Rua 15 Novembro, 470 – Vila São Luis

Duque de Caxias – RJ CEP 25.065 135

BRAZIL

[www.apilani.com.br](http://www.apilani.com.br)

Email: [apilani@globo.com](mailto:apilani@globo.com)

